



# Art on Fire



## The City of Geneva is Pleased to Announce the Return of the Art on Fire Program!

The City of Geneva, in collaboration with the Cultural Arts Commission, is pleased to bring back the Art on Fire Program. Interested artists (no residency requirements) will be permitted to “adopt” fire hydrants within the corporate limits of Geneva and create artistic designs for them. This spring, fire hydrants throughout Geneva will be available for artists to paint. The goal of this program is to embrace the artistic talents of local individuals while displaying creative artwork throughout the community. There is no specific theme for this program, though artists are encouraged to incorporate the character of the surrounding environment and neighborhood into their artwork. The Cultural Arts Commission and Public Arts Advisory Committee will award first, second, and third place winners for the best hydrant designs. There is no cost to apply for the program. Artists are responsible for providing their own materials. Please note that existing hydrant artwork cannot be painted over.

### PROGRAM DETAILS

#### How can I participate in this program?

- Fill out the application/design proposal (page 2 of this form).
- Please be sure to include the location of the hydrant you would like to paint.
- Fill out the waiver (page 3 of this form).
- Submit the required forms no later than **5:00 PM on June 30, 2021** to the City of Geneva.
- The City of Geneva will contact you once your application has been approved.

#### How should I begin painting after receiving City approval?

- Remove all dirt, mud, and debris from the hydrant before painting.
- Protect the immediate area around the hydrant from paint stains.
- The use of an oil-based primer before painting will allow paint to adhere to your hydrant better.
- Use high quality, oil-based enamel paint for metal.
- Painting will be allowed from May 1<sup>st</sup>, 2021 through July 30<sup>th</sup>, 2021.

#### What is prohibited on the hydrants?

- Inappropriate words, advertisements, political messages, etc.
- Glued or attached objects.
- Camouflage or designs that significantly reduce hydrant visibility.
- **Please avoid using dark colors or a lot of white as they reduce hydrant visibility.**

#### Once I have finished painting my hydrant, what should I do?

- Sign the hydrant with your name.
- Notify the City of Geneva: (630) 232-7494 or [cranney@geneva.il.us](mailto:cranney@geneva.il.us) , once you are finished.
- Maintain your hydrant’s artistic design for up to one year.

For questions about the Art on Fire Program, contact the City of Geneva at (630) 232-7494

# APPLICATION/DESIGN PROPOSAL

Name: \_\_\_\_\_

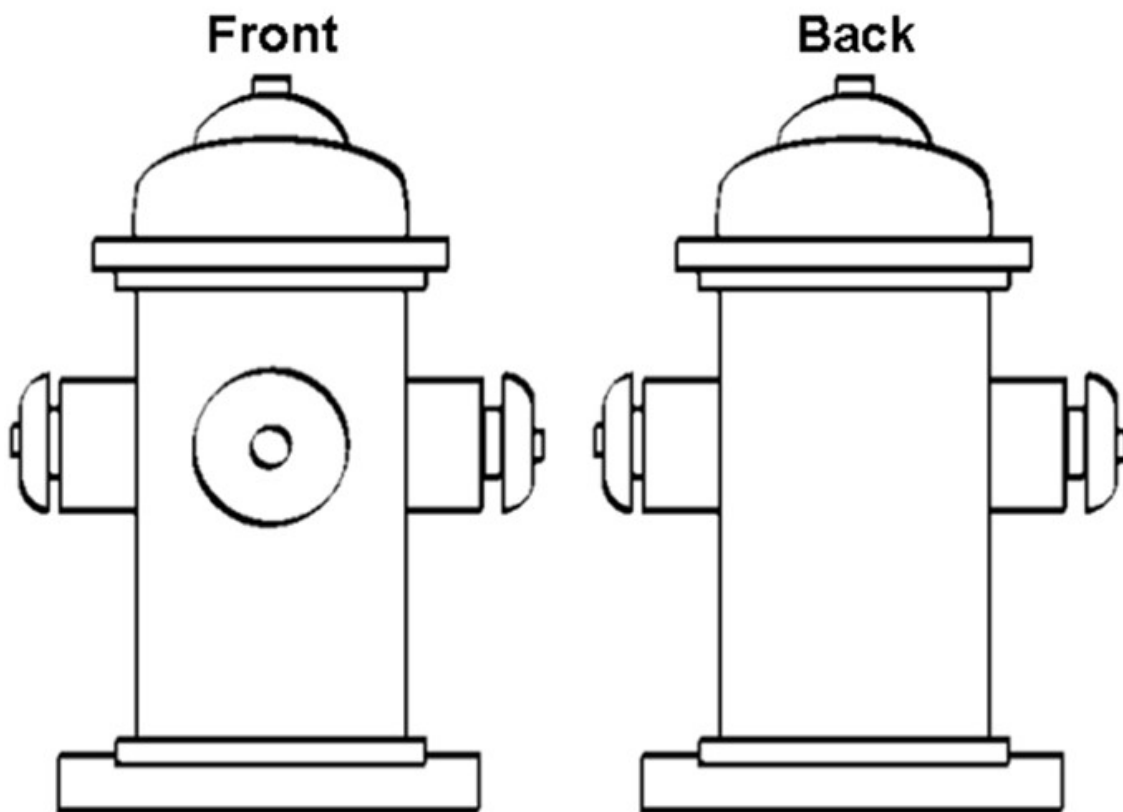
Phone: \_\_\_\_\_ Email: \_\_\_\_\_

Mailing Address: \_\_\_\_\_

Location of Preferred Hydrant: \_\_\_\_\_

Please Describe Your Artistic Abilities and Experiences: \_\_\_\_\_

**Use the fire hydrant below to illustrate your proposed artistic design:**



Title of your Artwork \_\_\_\_\_

*Applicants must submit this page and the waiver (see page 3 of this application) by **5:00 PM – June 30, 2021** via mail or email a scanned copy **in color** to [cranney@geneva.il.us](mailto:cranney@geneva.il.us):*

City of Geneva  
ATTN: Art on Fire  
22 South First Street  
Geneva, IL 60134

## Waiver, Hold Harmless and Indemnity Agreement

In consideration of the City of Geneva accepting me as a participant in this program, I understand and agree to the following:

### A. Agreement/General Provisions

I understand and grant the City of Geneva, its successors, assigns, and licensees, the perpetual right to photograph, film, use and reproduce, as the City desires, photographs and videotapes taken of myself and/or my children during any activity of this program. I understand that I will not receive any compensation for my participation or my children's participation in the photographs and videotapes and that the City of Geneva shall own all right, title, and interest to the photographs and videotapes, including the portions that contain the images and voices of myself and/or children.

### B. Waiver, Hold Harmless and Indemnity

I fully understand and agree to assume all risks of injury associated as a participant in this program for the City of Geneva.

I understand that the City of Geneva is not responsible for any losses, medical or otherwise, incurred arising out of participation in this program. I hereby waive any and all claims against the City of Geneva, its elected officials, employees, and/or agents for bodily injury or death arising out of, or in any manner connected with, participation in this program.

I will defend, indemnify, keep and hold harmless the City of Geneva, its elected officials, employees, and/or agents from all damages, judgments, expenses (including reasonable attorney fees) suffered because of the injury or the death of any person or persons, or because of damage to property that may arise out of, or as a consequence of my or my family's participation in this program.

I certify that I have read and understood the above agreement as the terms under which I will be allowed to participate in this program with the City of Geneva. This waiver, hold harmless, and indemnity agreement form is effective following signature unless revoked in writing.

Participant Information:

\_\_\_\_\_  
(Participant Name – Please Print)

\_\_\_\_\_  
(Phone)

\_\_\_\_\_  
(Street Address)

\_\_\_\_\_  
(City, State, Zip)

\_\_\_\_\_  
(Signature)

\_\_\_\_\_  
(Date)

Complete this form and return it with the application/design proposal